

## Mixer Tap Skin Gun Metal

Mixer Taps

Code: 8424 856



### DETAILS

Mixer type Single lever faucet with rotating barrel and flexible head.

Coloring Gun Metal

Finish PVD

Material Stainless steel AISI 316

Texture Satin

Rotating angle 360°

Strengthening plate ø50mm

Cartridge With ceramic discs

Mixer hole ø35mm

Aesthetics parts                      AISI 316 steel aesthetic parts with PVD treatment

---

Max worktop thickness              40 mm

---

## FEATURES

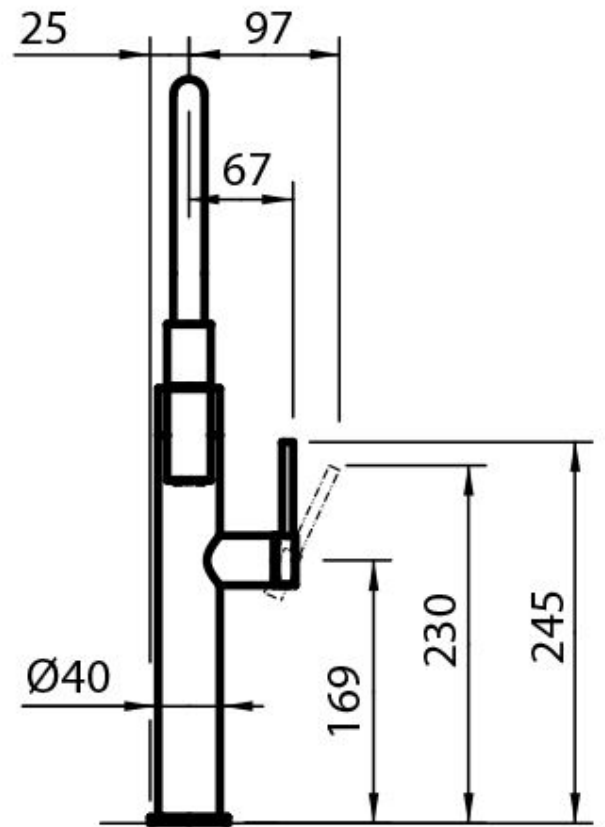
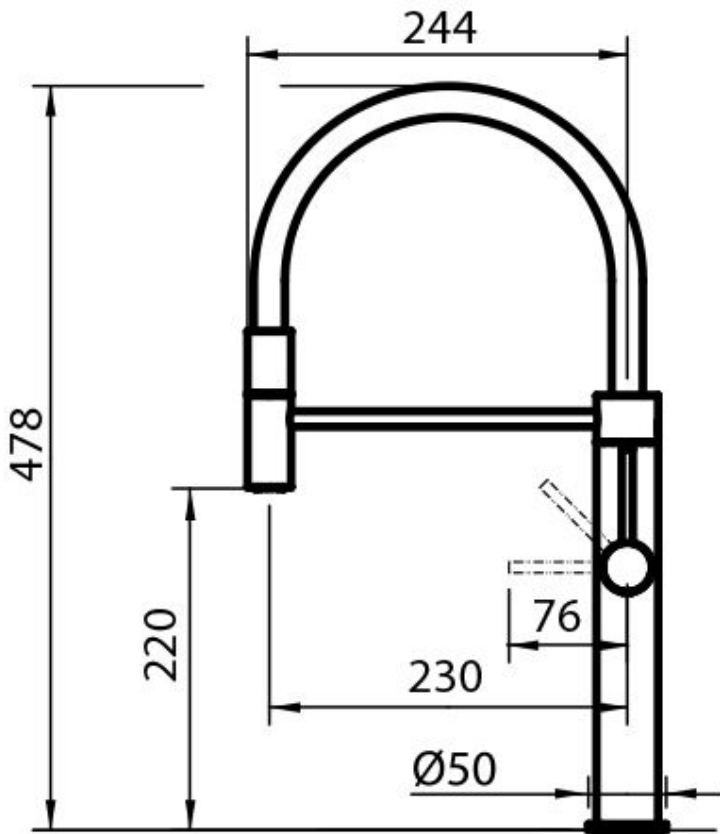
Rotating angle                      All the taps have a wide angle of rotation. Some models even permit a full 360° rotation.

---

Strengthening plate                Foster's mixer taps are equipped with the strengthening plate that offers perfect stability on any sink.

---

## TECHNICAL DATA



## GALLERY

